

Part #: 9602
Description: TL Light Kit Installation
Date: 7/30/2013

Instructions for Installation of the 9602 TL Light Kit

1. Prepare the machine so there is easy and safe access to the work area. Remove the ignition key and lower the rear support leg (trailer mounted models only). Maintain all safety related work procedures. Always wear eye and hand protection.
2. Remove the mounting hardware from the upper and lower joint of the discharge stack. See Figure 1. Retain the mounting hardware as it will be used to secure the light kit brackets to the machine.

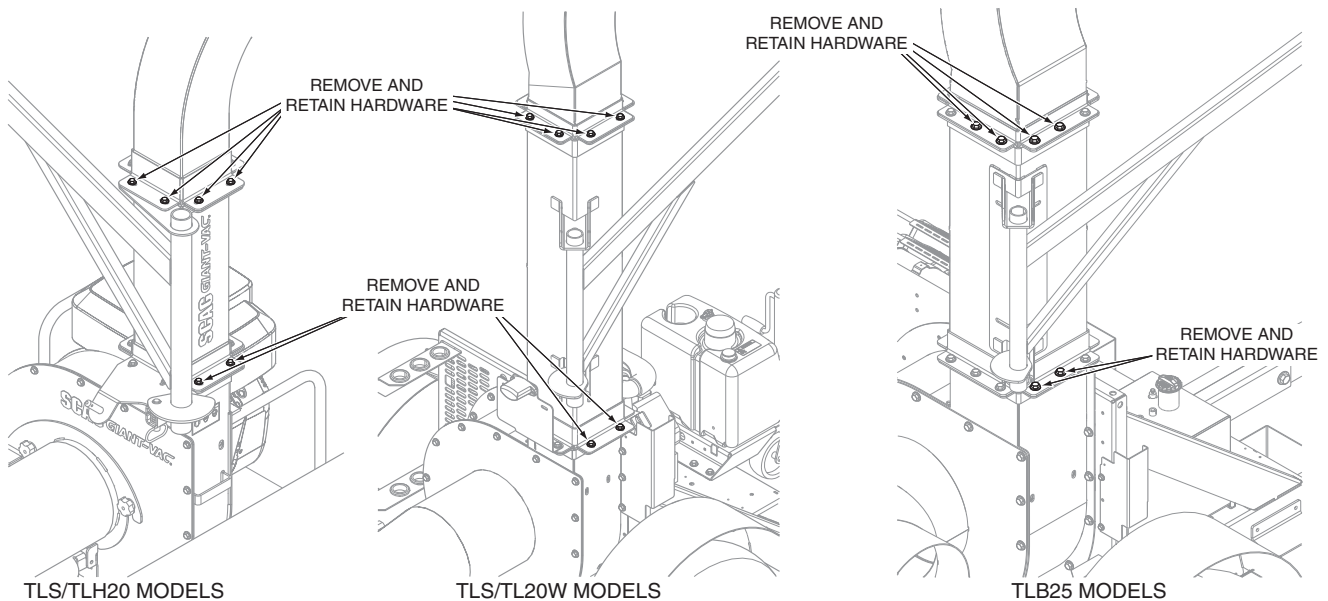


Figure 1. Hardware Removal

3. Install the light mounting brackets and secure using the hardware removed in step 2. See Figure 2, Figure 3 or Figure 4 on the following pages for the model of truck loader this light is being installed on.
4. Install the lights to the mounting brackets. Do not tighten mounting hardware at this time. See Figure 2, Figure 3 or Figure 4 on the following pages for the specific model the specific model of truck loader this light is being installed on.
5. Install the light switch to the mounting bracket and secure. Install the light switch and mounting bracket assembly onto the truck loader and secure using the hardware removed in step 2. See Figure 2, Figure 3 or Figure 4 on the following pages for the model of truck loader this light is being installed on.
6. Install the light kit wire harness onto the light assemblies. Route the wire harness down the discharge stack and connect to the light switch. Route the wire harness from the light switch to the battery of the truck loader. See Figure 2, Figure 3 or Figure 4 on the following pages for the model of truck loader this light is being installed on.

- Secure the wire harness to the truck loader using the wire ties and clamps (if required). See Figure 2, Figure 3 or Figure 4 for the model of truck loader this light is being installed on.

-NOTE-

The wire harness included with this kit is designed fit all Scag Giant-Vac model truck loaders. Any excess wire from the wire harness must be secured using the ties provided to prevent damage.

- Remove the battery cover (if applicable) and connect the wire harness to the battery by connecting the positive (+) wire first, then the negative (-).
- Turn on and position the lights to the desire location. Tighten the mounting hardware to secure.

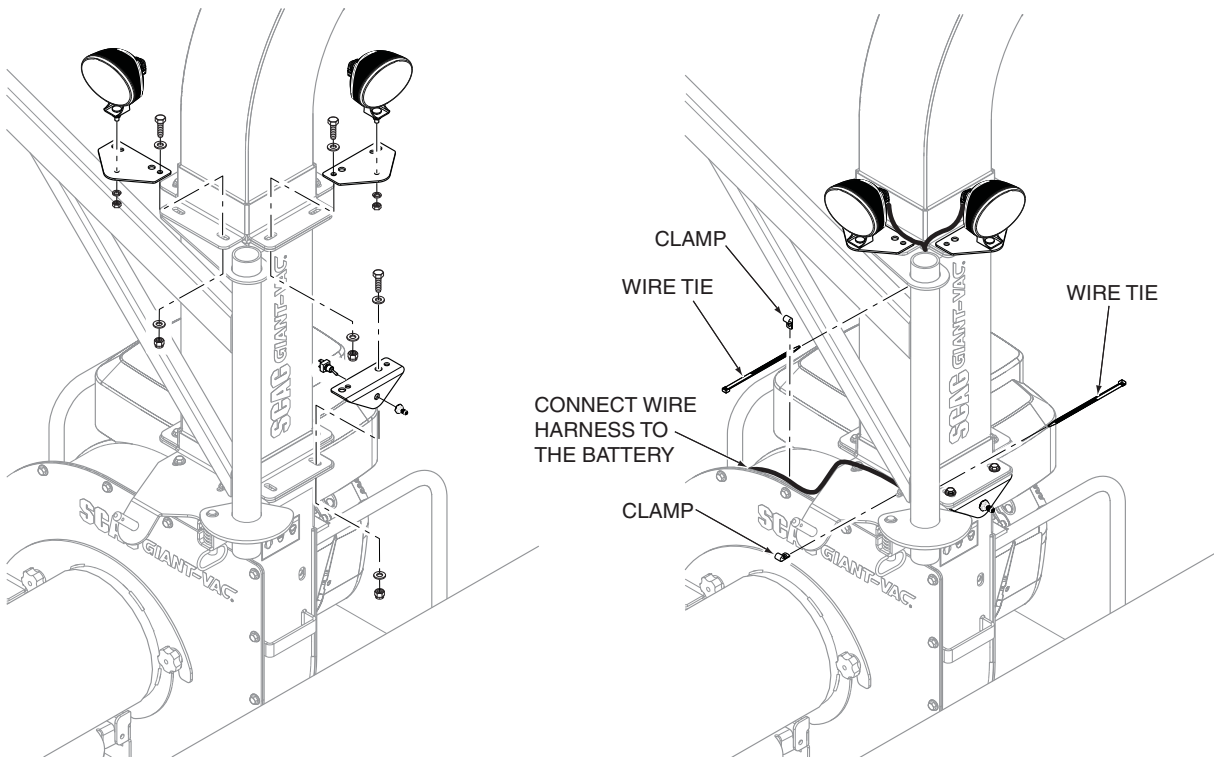


Figure 2. TLS / TLH20-18BV Light Kit Install

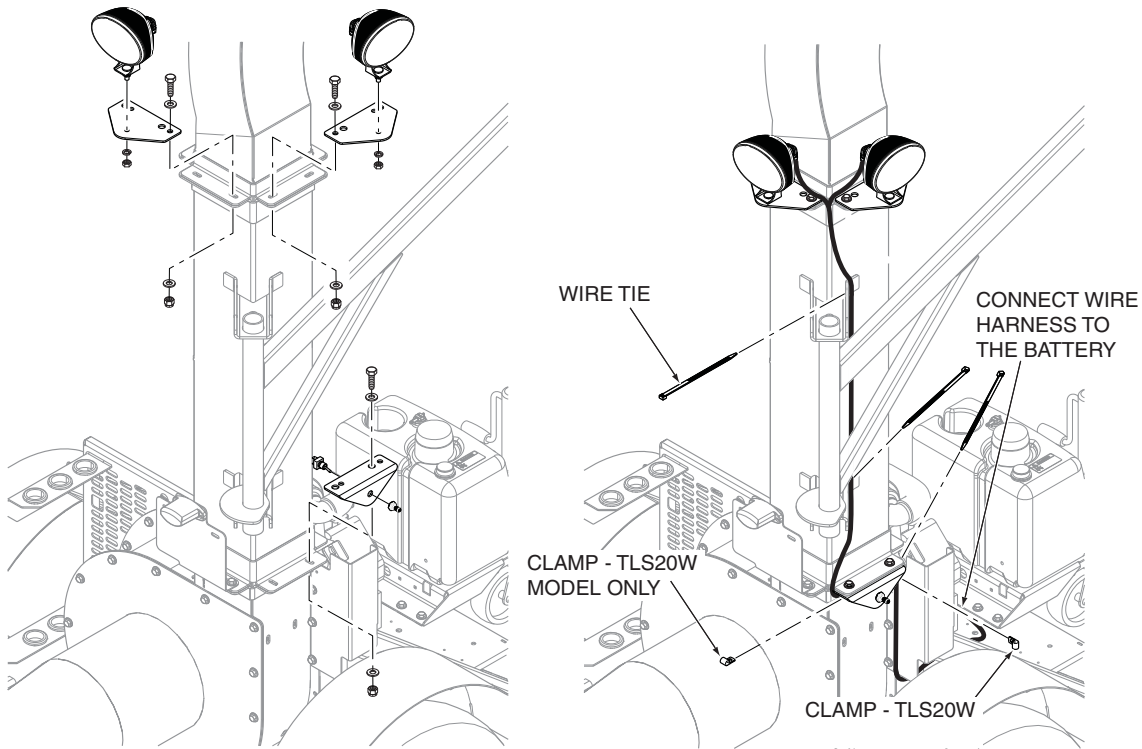


Figure 3. TLS20W / TL20W Light Kit Install

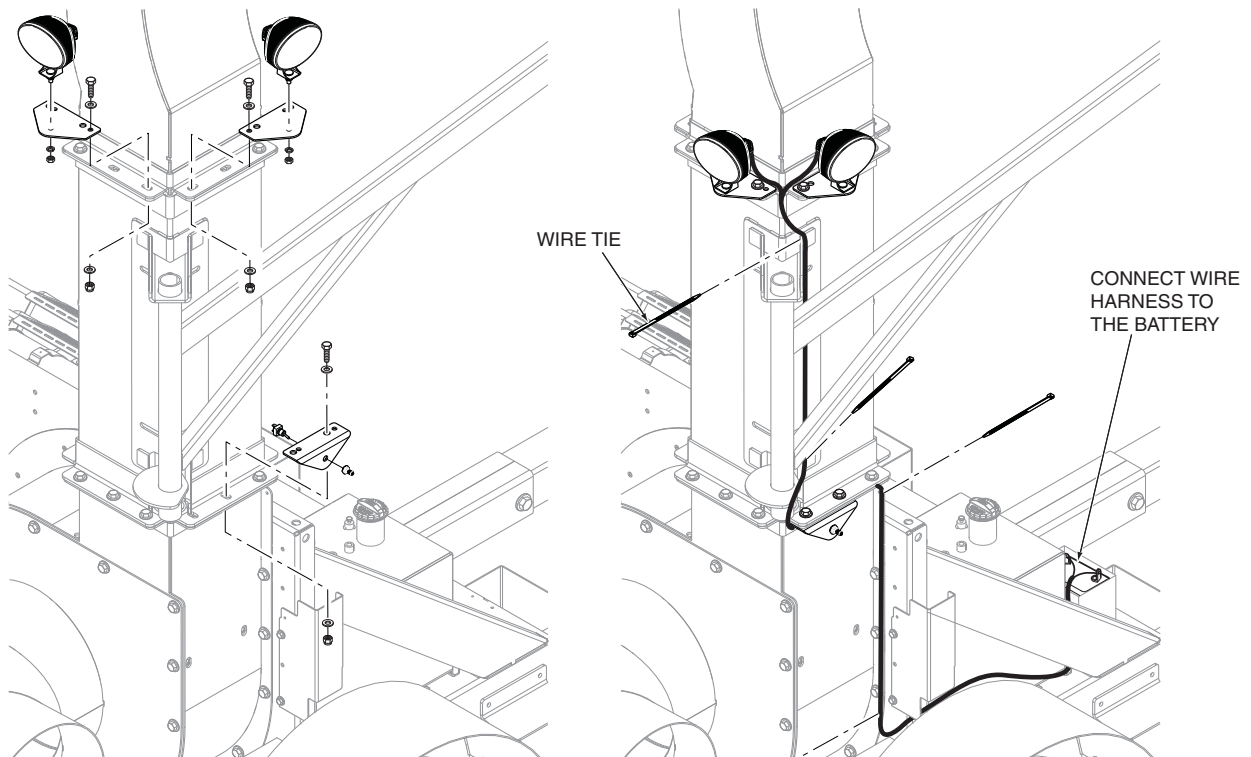


Figure 4. TLB25 Light Kit Install