

Part #: 9607 / 9608
Description: TLS20 / TLS20W Stack Extensions
Date: 5/1/2014

Instructions for Installation for the 9607 TLS20 & 9608 TLS20W 12" Stack Extensions

1. Prepare the machine so there is easy and safe access to the work area. Remove the ignition key and lower the rear support leg (trailer mounted models only). Maintain all safety related work procedures. Always wear eye and hand protection.
2. With help from an assistant, use a lifting device capable of lifting and supporting the weight of the discharge stack. Secure the lifting device to the discharge elbow.
3. Remove the mounting hardware from the upper and lower joint of the discharge stack and elbow. See Figure 1. Retain the mounting hardware as it will be used to secure the stack extension.

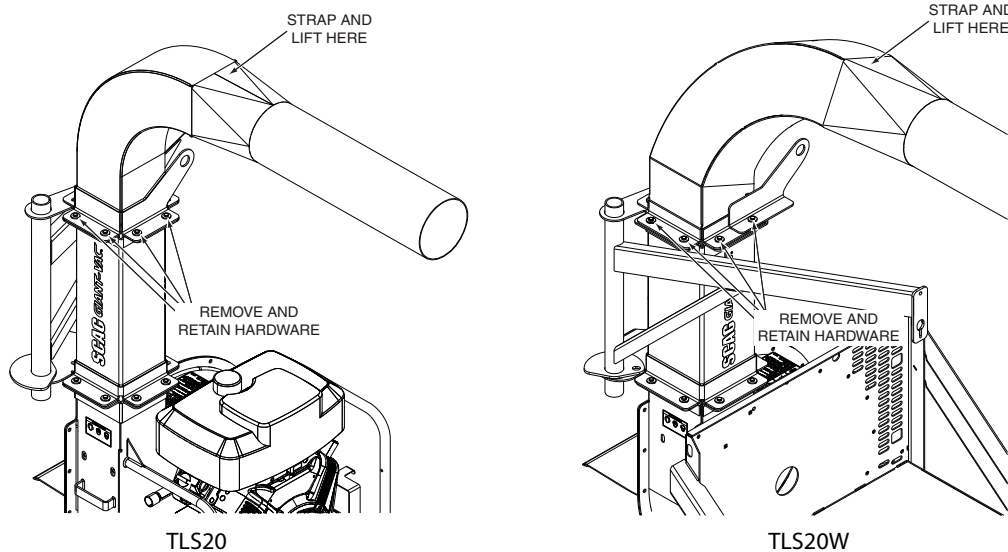


Figure 1. Hardware & Discharge Elbow Removal

4. Install the 12" stack extension between the discharge stack and elbow and secure using the hardware removed in step 3. See Figure 2, Page 2.
5. Install the discharge elbow and secure using the hardware supplied with this kit. Tighten all hardware and remove lifting device.

Description: TLS20 / TLS20W Stack Extensions

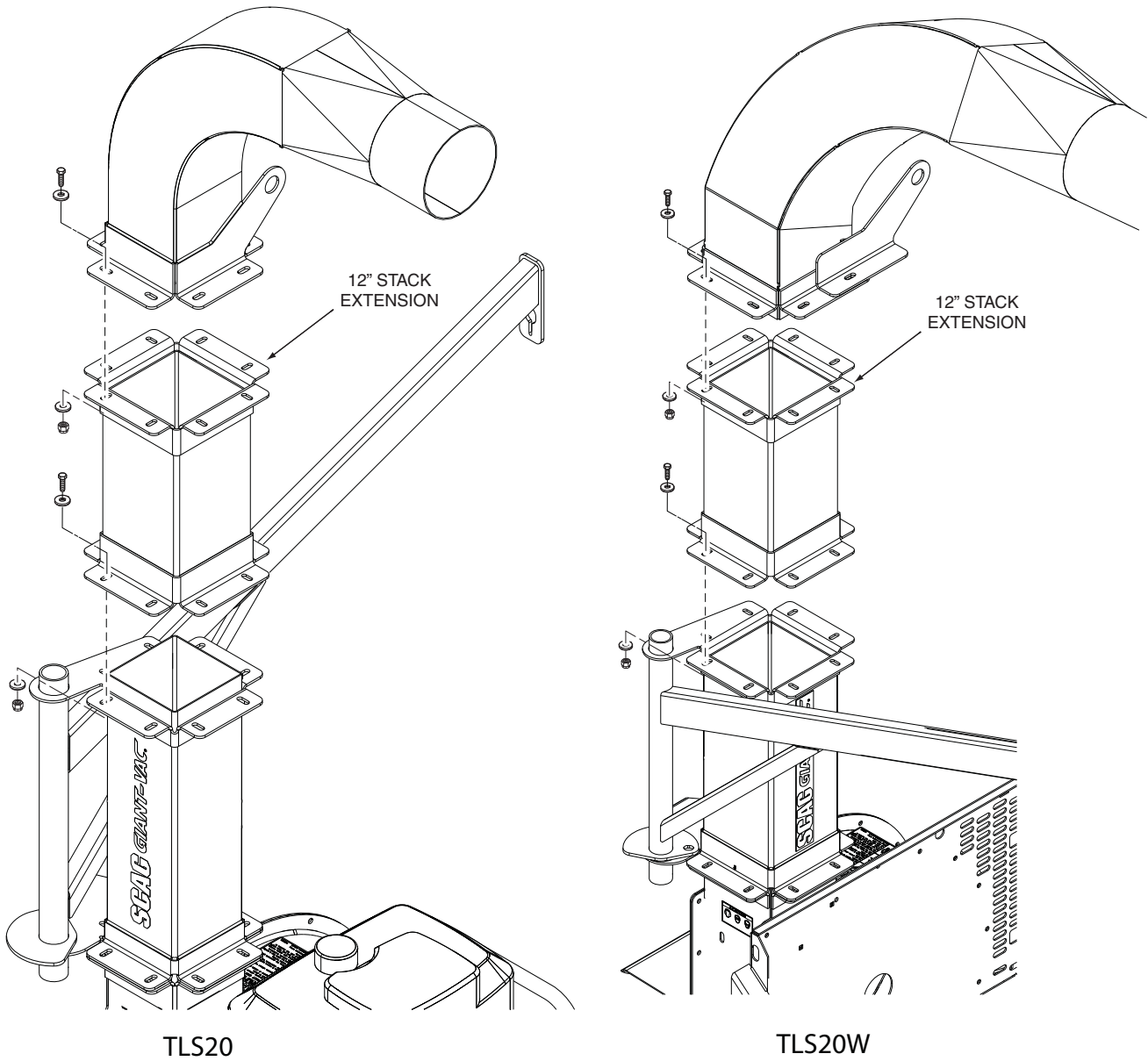


Figure 2. TLS 12" Stack Extension Install