



SERVICE INFORMATION SHEET 217

SI 217 - February, 2022

Hitch Installation for STCII Units with Yamaha Engines

The 922C hitch is not compatible with STCII units equipped with the Yamaha engine. If a hitch is required on a STCII unit with a Yamaha engine, it will be necessary to install STT hitch part number 9242 by following the instructions listed below.

1. Prepare the machine so there is easy and safe access to the work area. Remove the ignition key and disconnect the battery cables from the battery. Be sure to remove the negative (black) cable first, followed by the positive (red) cable. Maintain all safety related work procedures. To avoid injury from burns, allow the mower to cool before removing hardware and installing the hitch. Always wear eye and hand protection.
2. Remove and discard the 3/8" - 16 x 1" carriage bolt and nut identified in Figure 1.
3. Measure to the left and right 1 1/2" from the center of the hole where the hardware was removed. Mark each hole to be drilled at 1 1/2". Be sure to mark the holes to be drilled level with the existing holes in the rear bumper.
4. Punch each hole to be drilled utilizing a center punch.
5. Using a 3/16" drill bit, drill a pilot hole at each punch mark.
6. Using a 13/32" drill bit, drill a hole at each pilot hole for the hitch installation.
7. Align the holes in the hitch with the holes that have been drilled out in the rear bumper.
8. Using two 3/8" - 16 x 1" bolts (not included in the kit), insert one bolt into each hole of the hitch and then through the rear bumper. Install and tighten the two 3/8" locknuts included in the hitch installation kit. See Figure 2.

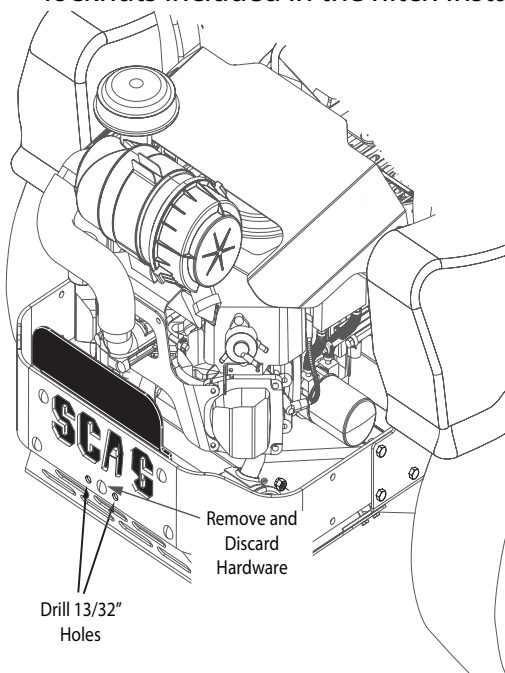


Figure 1.

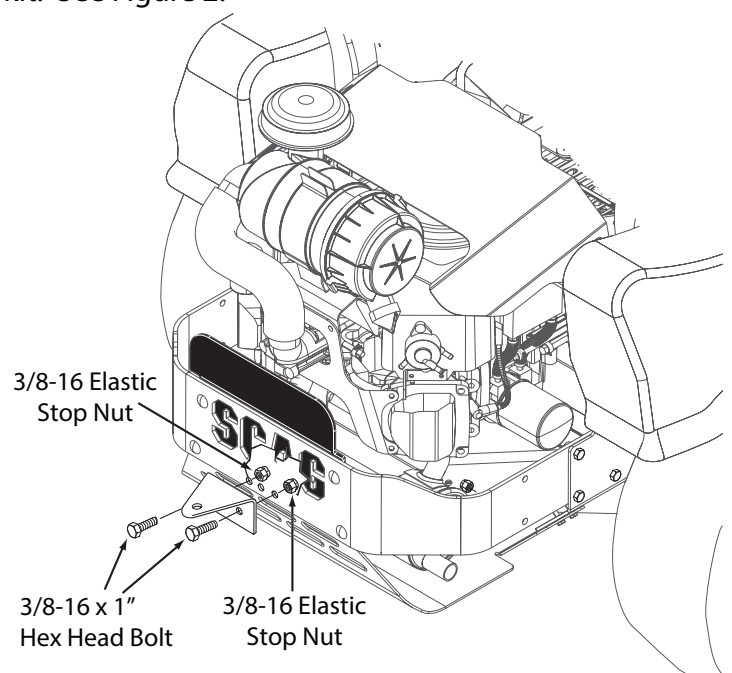


Figure 2.